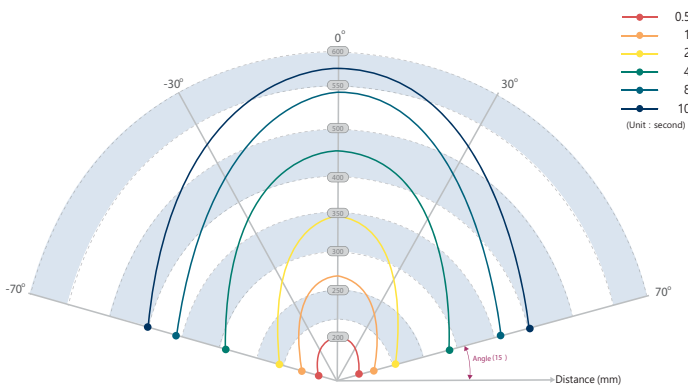


# VSN-05UE

5KV photo ionizer head with integrated power module and easy replaceable tube and economical beyond the system cost.



## • Ionization Performance According To Distance



## • Specification

Tube voltage(DC)	4.98 kV
Beam angle	150°
Power input	DC 12V
MAX consumption	8 W
Weight	0.4 kg

## • How does soft X-Ray ionizer work?

The principle behind soft x-ray static elimination is the use of air ionization of soft x-rays. Soft x-rays are easily absorbed within the atmosphere to generate positive and negative ions. These positive and negative ions move being pulled according to the electrical charge of the electrified object according to coulomb's force and ultimately meeting with the electrified charge to become neutralized. Different from corona discharge type, soft x-ray, a form of light, is used and is suitable for use in clean rooms as peeling of metal is caused by ion collisions due to discharge does not occur.

## • Advantages of soft X Ray ionizer

### Perfect ion balance

Unlike corona discharge electrodes that use high-pressure negative electrons, it equally generates positive and negative ions by using soft x ray, in turn enabling even ionization capacities unrelated to surface charge polarity.

### No occurrence of metal dust

It is suitable for use in clean rooms highly sensitive to contamination as metal dusts are not generated as corona discharge electrodes are not used. It also prevents product defects caused by metal dust and requires minimal maintenance costs compared to corona discharge electrode.

### Fast ionization speeds

Faster ionization speeds compared to corona discharge types based on high ionization density.

### No occurrence of ozone

Unlike corona discharge that provides ozone (strong oxidizing gas) in atmospheric discharges, it has no atmospheric discharge, in turn preventing harmful health effects and corrosion of equipment.

## • Environmental

Operation temperature	0~40°C
Storage temperature	-10°C~60°C
Operation humidity	Less than 60%
Storage humidity	Less than 85%
Warranty	1 year

○ Head office

ADDRESS: [28182]151-33, Namseokro, Namyi-myeon, Seowon-gu, Cheongju-si, Chungcheongbuk-do, Korea  
 TEL: +82-43-267-9039 FAX: +82-43-269-4039 E-MAIL: sales @ vsi.co.kr

○ Factory

ADDRESS: [30067] 328, Songam-ro, Yeondong-myeon, Sejong-si  
 TEL: +82-44-868-9041 FAX: +82-43-269-4039



# Product Details

## Optional time reader

Dimension	28x52x14(mm)
-----------	--------------

• Radiation Materials

Shield material	Material thickness
Stainless steel	0.2
Aluminum	0.4
glass	0.7
PVC	0.6
Acrylic	8



• Composition

Head(VSN-05UE) / 1ea

Adapter(DC 12V 3.3A) / 1ea  
 Part #: P-AD12-001

Data Cable(5m) / 1ea  
 Part #: UE-DC-0015

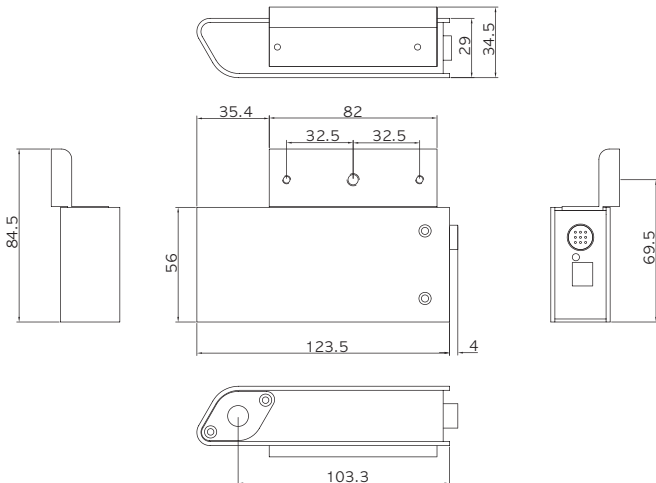
Extension Power Cable(15m) / 1ea  
 Part #: EX-PC-0015

Fixing Bolt: 1/4"X 15L / 1ea  
 1/4 X 8L / 1ea  
 M4 x 0.7pitch x 10L / 2ea

Power cable  
 AC 220V, 50/60Hz, 1.8m / 1ea  
 Part #: PC-220-0018

• Dimensions (unit:mm)

Head



Optional time reader

